

HIGH EFFICIENCY

WOOD-BURNING FIREPLACES



 **BIS**[®]

 **astria**
FIREPLACES[®]

We created the built-in stove category and continue to design fireplace solutions that focus on quality and comfort.

EPA CERTIFIED FOR EFFICIENCY

All BIS fireplaces are EPA Certified. Every model has undergone rigorous testing by an independent laboratory and meets or exceeds stringent emissions limits to ensure efficient and responsible wood-burning. Hauling wood inside is a labor of love; BIS fireplaces are built to look beautiful and get the most out of each piece of wood.

TAKE CONTROL OF YOUR COMFORT

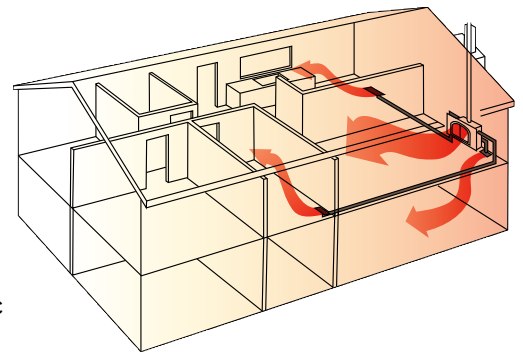
Each model features a variable-rate control that allows you to regulate wood usage and comfort. This allows you to enjoy the fire longer and put more heat into your home, not up the chimney. This is a big advantage over single-rate fireplaces that burn wood much faster, send more heat up the chimney, and don't allow for heat control in the home. Blower Kits and Forced Air Kits are available to help distribute the heat throughout your living area.

Multiple Heating Options

BIS High Efficiency Wood-Burning Fireplaces not only look beautiful; they are also powerful heating appliances. Depending on your needs, there are several options to help you put the heat where you want it.

RADIANT HEATING

All BIS models come standard with outside air kits, high-density refractory interiors, variable-rate air inlet controls, secondary burn systems and ceramic glass fronts. These components all work together to efficiently burn wood, retain heat in the firebox, and radiate warmth directly into the room.



WARM AIR CIRCULATION

The firebox of all BIS models is surrounded by an outer insulated shell and includes openings above and below the fireplace doors. Room air is allowed to enter this area between the firebox and outer shell, and through natural convection will be drawn in below the firebox, warm up, and exit above the firebox. This gentle flow of heat recirculation can be enhanced with a blower that will move more air through the system and distribute it farther away.

HEATFLO KIT OPTION

With the optional HeatFlo Kit, warm air circulation can be shared with multiple rooms. Through natural convection, warm air can be directed up to 10 feet away into one or two adjacent rooms, giving you the flexibility to heat up to three areas. (Available for select models only)

FORCED AIR KIT OPTION

The optional Forced Air Kit provides up to 25% more heat from the same fire. This additional heat can be distributed up to 50 feet, to three additional rooms, including rooms on a lower floor. The blower and thermostat included in the kit work together to allow automatic control of heat distribution for balanced and controlled comfort.

Engineering Features and Specifications

COMBUSTION

Room and outside air sources are used to keep the glass clean and feed the fire. Advanced technology secondary burn systems re-burn gases to maximize heat output and minimize particulates that leave the home.

1 Inlet Air & Glass Wash

2 Wood Fuel Combustion

3 Secondary Air Combustion

4 Catalytic Air Combustion

5 Flue Gases Exit Home

HEAT PRODUCTION

BIS fireplaces are designed to extract the maximum amount of heat from the wood that is burned. Both radiant and convective air heat is then brought into the home, providing the ultimate in warmth and comfort.

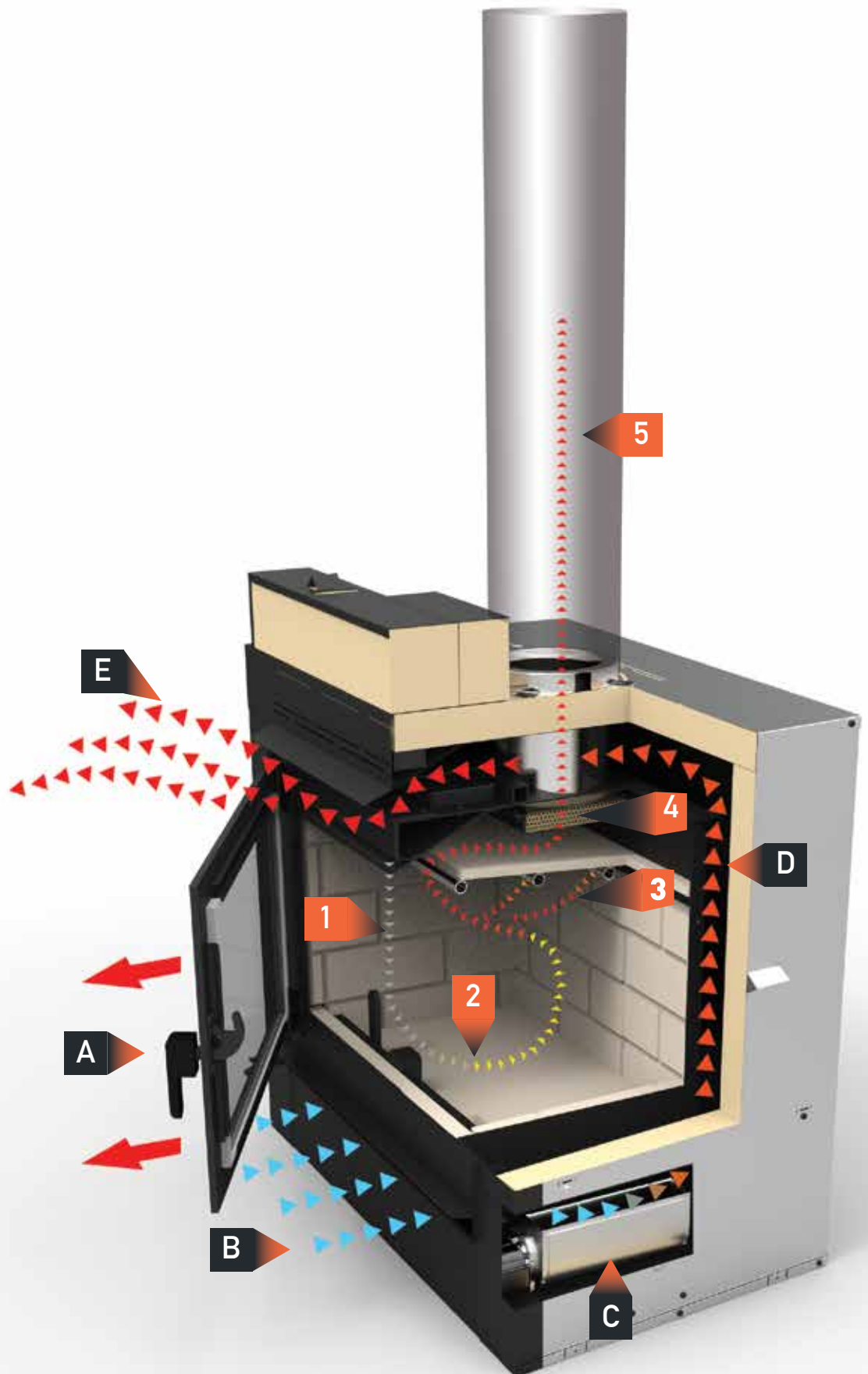
A Radiant Heat through ceramic glass

B Room Air is drawn into heat circulation chamber

C Blower can be used to enhance air flow

D Air collects heat as it travels around firebox

E Heated Air is distributed into living space



HIGH EFFICIENCY WOOD-BURNING FIREPLACES

MONTECITO ESTATE



The 4.0 cu. ft. firebox and 30” log capacity is one of the largest available in its category. The MONTECITO ESTATE beautifully combines craftsmanship with the power of clean, controllable combustion heating. The gorgeous selection of doors and facades allows you to achieve a customized look that reflects your style.

STANDARD FEATURES

- ◆ Circulating design features facade, arch doors and ceramic glass for optimum heat transfer
- ◆ EPA variable-rate certified high-efficiency wood heater
- ◆ Spacious 4.0 cubic foot insulated firebox that accepts up to 30” log size for increased performance
- ◆ Steel double doors with heat resistant door handles that stay cool to the touch
- ◆ Stacked textured refractory panels with integrated ash lip and decorative cast iron log retainer
- ◆ Catalytic combustor for maximum performance
- ◆ Bypass control: Greater airflow during startup for faster wood ignition and no smoke spillage when reloading
- ◆ Includes insulated outside air kit (required for use)
- ◆ 80,000 BTUs and heats up to 2,500 square feet*
- ◆ Efficient air wash system that keeps glass clean
- ◆ Includes heat activated 200 CFM variable-speed blower for time-delayed heat distribution
- ◆ Durable high temperature paint finish
- ◆ Limited Lifetime Warranty

**Square-foot heating capacities are approximations only. Actual performance may vary depending upon home design and insulation, ceiling heights, climate, condition and type of wood used, appliance location, burn rate, accessories chosen, chimney installation and how the appliance is operated.*



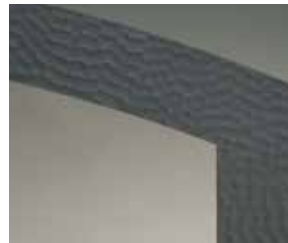
ADDITIONAL OPTIONS

- Hammered Steel or Smooth Doors (One Required)

- Hammered Steel or Smooth Facade (One Required)

- Forced Air Kit for forced air zone heating to multiple locations

Options DOORS (REQUIRED)



Hammered-Steel



Smooth-Steel

PRODUCT SPECIFICATIONS

Glass Viewing Area (W x H)	31" x 15"
Firebox Interior (W x H x D)	31" x 14-1/2" x 14"
Interior Cubic Feet	4.0
Maximum Log Size	30"
EPA Rating	1.3 grams/hr
Max BTU's	80,000
Heating Capacity (up to)	2,500 sq. ft.
Thermal Efficiency	70%
Blower	200 CFM

FACADE (REQUIRED)



Hammered-Steel



Smooth-Steel

MONTECITO



The 2.0 cu. ft. firebox with 19” log capacity provides ample space for a dramatic fire that is ideal for smaller spaces. The MONTECITO exudes classic beauty that transforms any room into an inviting gathering space. The traditional style arch-design facade and door is available in a variety of options for a customized look.

STANDARD FEATURES

- ◆ Circulating design features facade, arch doors and ceramic glass for optimum heat transfer
- ◆ EPA variable-rate certified high-efficiency wood heater
- ◆ 2.0 cubic foot insulated firebox that accepts up to 19” log size for increased performance
- ◆ Stacked textured refractory panels with integrated ash lip and decorative cast iron log retainer
- ◆ Air combustion control for variable heat output with air boost for faster wood ignition during startup
- ◆ Includes insulated outside air kit (required for use)
- ◆ 55,000 BTUs and heats up to 1,500 square feet*
- ◆ Efficient air wash system that keeps glass clean
- ◆ Cast or steel door available with heat resistant door handle that stays cool to the touch
- ◆ Includes heat activated 200 CFM variable-speed blower for time-delayed heat distribution
- ◆ HeatFlo™ air kit and/or thermostatically controlled forced air kit available (three maximum outlets)
- ◆ Durable high temperature paint finish
- ◆ Limited Lifetime Warranty

**Square-foot heating capacities are approximations only. Actual performance may vary depending upon home design and insulation, ceiling heights, climate, condition and type of wood used, appliance location, burn rate, accessories chosen, chimney installation and how the appliance is operated.*



ADDITIONAL OPTIONS

Cast Iron, Hammered Steel or Smooth Door (One Required)

Hammered Steel or Smooth Facade (One Required)

HeatFlo Air Kit for natural flow zone heating to multiple locations

Forced Air Kit for forced air zone heating to multiple locations

Options DOORS (REQUIRED)



Cast-Iron



Hammered-Steel



Smooth-Steel

PRODUCT SPECIFICATIONS

Glass Viewing Area (W x H)	22-1/2" x 12-1/4"
Firebox Interior (W x H x D)	22" x 11-3/4" x 12"
Interior Cubic Feet	2.0
Maximum Log Size	19"
EPA Rating	1.9 grams/hr
Max BTU's	55,000
Heating Capacity (up to)	1,500 sq. ft.
Thermal Efficiency	72%
Blower	200 CFM

FACADE (REQUIRED)



Hammered-Steel



Smooth-Steel

BAINBRIDGE



The BAINBRIDGE combines powerful high efficiency performance, mesmerizing flames, and controlled combustion heating from a compact 2.0 cu. ft. firebox. Choose from multiple square and arched, façade and door combinations to achieve an attractive style that is customized to individual taste.

STANDARD FEATURES

- ◆ Circulating design features facade, square or arch doors and ceramic glass for optimum heat transfer
- ◆ EPA variable-rate certified high-efficiency wood heater
- ◆ 2.0 cubic foot insulated firebox that accepts up to 19" log size for increased performance
- ◆ Smooth refractory panels with integrated ash lip and steel log retainer
- ◆ Air combustion control for variable heat output with air boost for faster wood ignition during startup
- ◆ Includes insulated outside air kit (required for use)
- ◆ 55,000 BTUs and heats up to 1,500 square feet*
- ◆ Efficient air wash system that keeps glass clean
- ◆ Cast or steel door available with heat resistant door handle that stays cool to the touch
- ◆ Includes heat activated 200 CFM variable-speed blower for time-delayed heat distribution
- ◆ HeatFlo™ air kit and/or thermostatically controlled forced air kit available (three maximum outlets)
- ◆ Durable high temperature paint finish
- ◆ Limited Lifetime Warranty

**Square-foot heating capacities are approximations only. Actual performance may vary depending upon home design and insulation, ceiling heights, climate, condition and type of wood used, appliance location, burn rate, accessories chosen, chimney installation and how the appliance is operated.*



ADDITIONAL OPTIONS

Cast Iron, Hammered Steel or Smooth Steel Doors- (One Required)

Louvered or Clean Face Facade (One Required)

HeatFlo Air Kit for natural flow zone heating to multiple locations

Forced Air Kit for forced air zone heating to multiple locations

Options DOORS (REQUIRED)



Smooth-Steel

Cast-Iron

Hammered-Steel

Smooth-Steel

PRODUCT SPECIFICATIONS

Glass Viewing Area (W x H)	22-1/2" x 12-1/4"
Firebox Interior (W x H x D)	22" x 11-3/4" x 12"
Interior Cubic Feet	2.0
Maximum Log Size	19"
EPA Rating	1.9 grams/hr
Max BTU	55,000
Heating Capacity (up to)	1,500 sq. ft.
Thermal Efficiency	72%
Blower	250 CFM

FACADE (REQUIRED)



Louvered Arch

Louvered Square

Clean Face

LADERA



The LADERA is a compact and stylish heater with a 2.0 cu. ft. firebox that accepts logs up to 18 inches for large flames, long burn times, and sustained warmth. And with a clean-face design and expansive viewing area, the Ladera allows you to take pleasure in the beauty of an unobstructed fire.

STANDARD FEATURES

- ◆ Circulating radiant design features ceramic glass for optimum heat transfer
- ◆ EPA variable-rate certified high-efficiency wood heater
- ◆ 2.0 cubic foot insulated firebox that accepts up to 18" log size for increased performance
- ◆ Stacked textured refractory panels with integrated ash lip and decorative cast iron log retainer
- ◆ Air combustion control for variable heat output with air boost for faster wood ignition during startup
- ◆ Includes insulated outside air kit (required for use)
- ◆ 55,000 BTUs and heats up to 1,500 square feet*
- ◆ Efficient air wash system that keeps glass clean
- ◆ Steel door with heat resistant door handle that stays cool to the touch
- ◆ Durable high temperature paint finish
- ◆ Limited Lifetime Warranty

**Square-foot heating capacities are approximations only. Actual performance may vary depending upon home design and insulation, ceiling heights, climate, condition and type of wood used, appliance location, burn rate, accessories chosen, chimney installation and how the appliance is operated.*



ADDITIONAL OPTIONS

Cast Iron Surround Kit

Black Perimeter Trim Kit

Forced Air Kit for forced air zone heating to multiple locations

PRODUCT SPECIFICATIONS

Glass Viewing Area (W x H)	20" x 13-1/4"
Firebox Interior (W x H x D)	19-1/2" x 13-1/4" x 12"
Interior Cubic Feet	2.0
Maximum Log Size	18"
EPA Rating	1.7 grams/hr
BTUs	55,000
Heating Capacity (up to)	1,500 sq. ft.
Thermal Efficiency	60%
Blower	175 CFM

Options



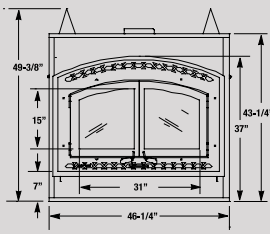
Cast Iron Surround Kit



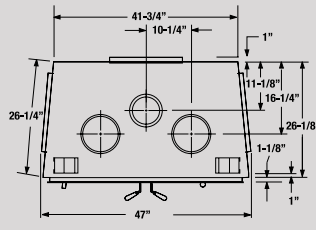
Black Perimeter Trim Kit

APPLIANCE SPECIFICATIONS

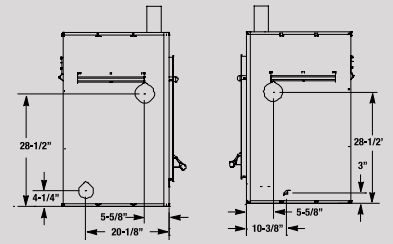
MONTECITO ESTATE



Front View

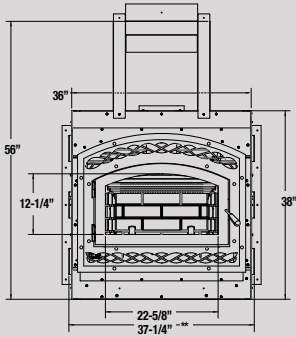


Top View



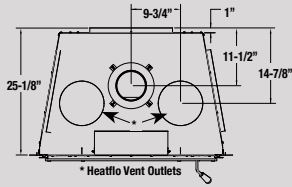
Side Views

MONTECITO

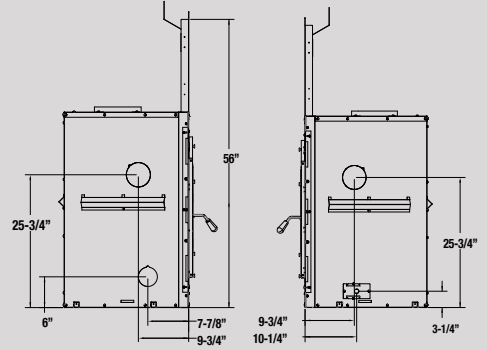


Front View

** To standoffs

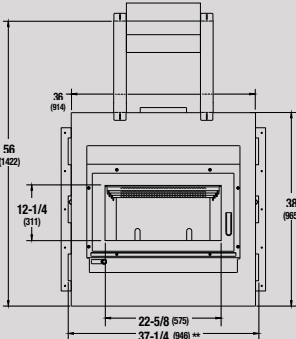


Top View



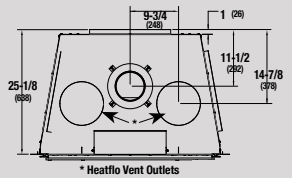
Side Views

BAINBRIDGE

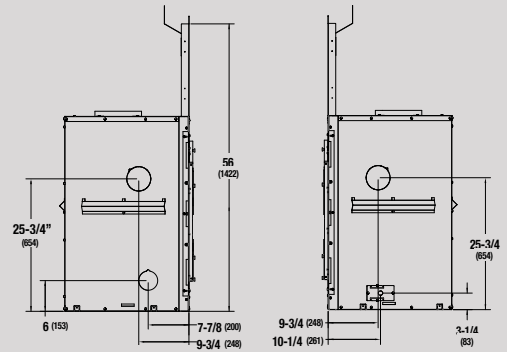


Front View

** To standoffs

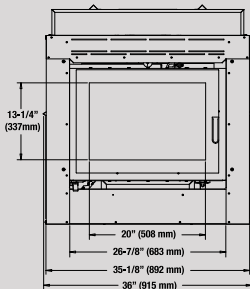


Top View

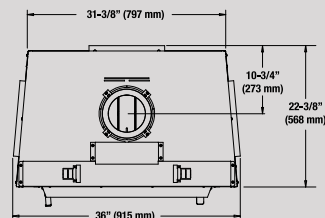


Side Views

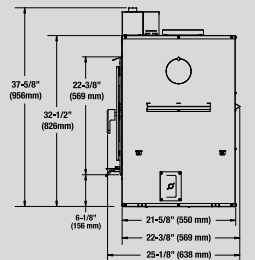
LADERA



Front View



Top View



Side View

IMPORTANT NOTES:

As with any fireplace, this appliance is extremely hot during operation. Read and understand all operating instructions before using this appliance. For further information, consult your dealer.

Local conditions, such as elevation and choice of fuel will affect overall appearance of the fire and heating performance. Performance can also vary with home design and insulation, ceiling height, accessories chosen and appliance location.

Diagrams, illustrations and photographs are not to scale – consult installation instructions. Product designs, materials, dimensions, specifications, colors and prices are subject to change or discontinuance without notice.

